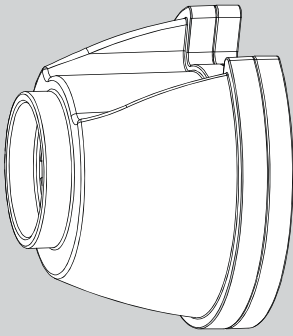


INSTRUCTIONS FOR MODELS

FSR-1



NEED HELP?

For additional assistance or service please contact:

SPEAKMAN® Company
400 Anchor Mill Road
New Castle, DE 19720



800-537-2107



customerservice@speakman.com



www.speakman.com

92-FSR-1-01



IMPORTANT

Be sure to read instructions thoroughly before beginning installation. Do not overtighten any connections or damage may occur.

- This system has an optimal operating range of 20-80 psi.
- This system has an optimal operating temperature of 60°-110° Fahrenheit.
- Be sure to adhere to all local and state regulations.
- Cover your drain to prevent loss of parts.
- This system has a maximum operating temperature of 120° Fahrenheit.

FILTER MAINTENANCE

The showerhead filter should be replaced every 6 months or 10,000 gallons. (Whichever comes first). Your time may vary depending on your water conditions. Use only genuine Speakman Filters (Part number FSR-1) available at www.speakman.com

We recommend you check your filter monthly to verify it's condition. During your monthly inspection, we recommend that you remove and shake the filter vigorously for 15 seconds to guarantee the best water flow through the filter.

FOR BEST PERFORMANCE

If during use you notice a sudden loss in performance of the showerhead, this may be caused by sediment or debris from your water supply and can be easily remedied by performing the following steps.

- Remove filter from showerhead by following the instructions provided.
- Turn the filter 180° and run water thru the filter at your sink.
- Run water thru the filter for several minutes.
- During this time you may notice discolored water coming from the filter. This is normal and is the sediment or debris that was causing the poor performance of the filter.
- Replace filter by following the instructions provided.



IMPORTANT

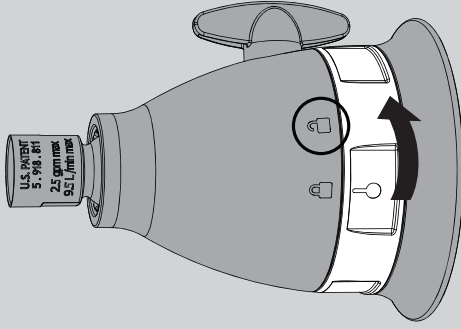
This product is not intended for exterior installations. Do not expose the filter to freezing conditions, as this may cause cracking of the filter and water leakage.

Do not use with water that is microbiologically unsafe or of unknown quality without disinfection before the unit.

This unit is not intended to provide filtration of drinking (potable) water, and should not be used as a potable water source.

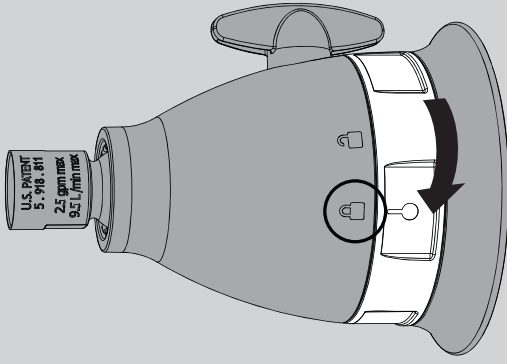
1 FILTER REPLACEMENT

The filter can be replaced while the showerhead is still attached to the shower arm. Rotate Lock Ring to the UNLOCK position.



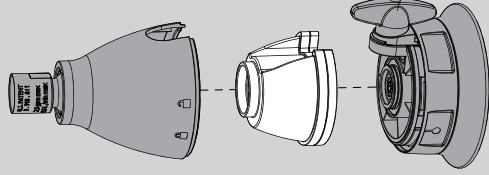
3 FILTER REPLACEMENT

After the showerhead is reassembled, rotate Lock Ring to the LOCK position.



2 FILTER REPLACEMENT

Remove existing filter from showerhead and discard. Remove protective film from both the inlet and outlet of the new filter. Install new filter into showerhead and reassemble.



This system has been tested according to NSF/ANSI 177 for reduction of free available chlorine. The concentration of free available chlorine in water entering the system was reduced to a concentration less than or equal to the permissible limit for water leaving the system, as specified in NSF/ANSI 177. This system has not been evaluated for free available chlorine reduction performance in the presence of chloramines. Free available chlorine reduction performance may be impacted by the presence of chloramines in the water supply. Please contact your local water utility to determine if chloramines are used in treating your water.

Minimum Chlorine Reduction per NSF/ANSI 177 is ≥ 50% free available chlorine (FAC) when used with an influent challenge water of 2 mg/l FAC.



For use with the following models:

- SR-2005-HBF
- SR-2005-HBFE2